



LUXAIR™
EXTRACTION WITH ATTRACTION

LA-STD

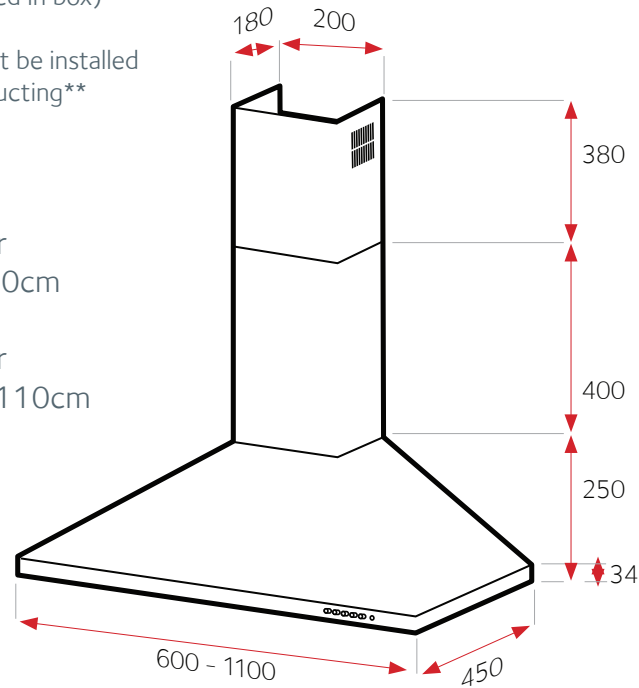
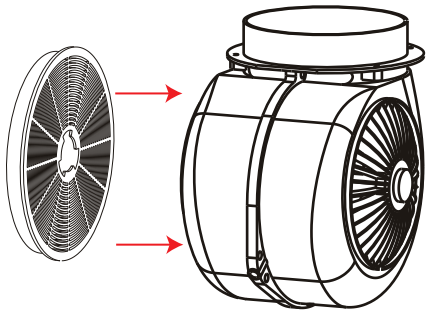


Reducer Collar reduces the motor exhaust from 150mm to 125mm if required (Already supplied in box)

Please note this hood must be installed on a minimum of 125mm Ducting

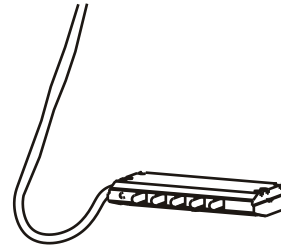
Spare Motor 680 m³/hr
- Fits Models 60cm - 90cm

Spare Motor 980 m³/hr
- Fits Models 100cm - 110cm



Replacement Switch 1

Please note on models pre 2012, switch unit is hard wired to the motor. All current models have a plug fitted to both the switch and motor



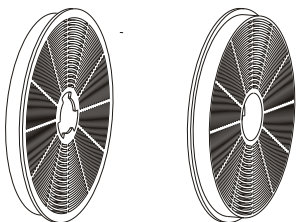
2x Standard ES Bulb
(1 fitting fits 2 Bulbs)



2x Charcoal Filter 5

(2 Filters Per Pack, 1 either side of Motor)

Please note hoods manufactured pre 2012 require 2x charcoal filter 1



Mesh Grills (current Models)

LA-60-STD	x2	298x240
LA-70-STD	x2	298x260
LA-80-STD	x3	298x240
LA-90-STD	x3	338x272
LA-100-STD	x4	298x240
LA-110-STD	x4	298x240

Please note you must measure your mesh grill size. Older models will have different sizes to current models

